

Read the instructions carefully before using this device



## **GREY 30000 (HE-161A) INDUSTRIAL OZONE GENERATOR**





### ***USER MANUAL***

Read the instructions carefully before using this device

## **WARNING**

This air unit is not a medical device.  
Do not stop or modify any treatment or medication programs  
without consulting your doctor.  
Excessive ozone concentrations can irritate the mucous  
membranes or the respiratory tract.

|   |  |   |
|---|--|---|
|    | <b>CAUTION</b>   |  |
|   | DANGER OF INJURY<br>BY ELECTRIC<br>CURRENT WHEN<br>OPENING THE<br>DEVICE |   |
|   | <b>CAUTION</b>   |   |
| <b>WARNING: DO NOT REMOVE THE COVER OR ANY<br/>EXTERNAL SERVICE PARTS - DANGER OF INJURY BY<br/>ELECTRIC CURRENT. FOR SERVICING, CONTACT<br/>QUALIFIED SERVICE PERSONNEL.</b> |  |   |

The “lightning bolt” means that uninsulated material inside the unit can cause injury by electric current. For everyone’s safety, do not remove the product’s cover.

# INTRODUCTION

This air purifier is designed for the advanced and comfortable remediation of contaminants. Powerful oxidation in a compact size, with a lightweight and simple design. It uses ozone technology with a controlled corona discharge, developed especially for the reduction of odors, bacteria, and viruses in unoccupied areas. Ideal for the treatment of households, offices, cars, and other spaces.

## WHAT IS OZONE?

Ozone (O<sub>3</sub>) is a toxic gas with a typical odor, which is a normal component of the Earth's atmosphere. Ozone is deliberately manufactured for various industrial purposes; it is produced naturally from oxygen by ultraviolet radiation, electric discharge, e.g. at high altitudes, or lightning. Ozone itself is a visibly blue gas which is approximately one and a half times as heavy as air (density of 2,144 g/l). Ozone cannot be stored or transported in containers because it decomposes in the presence of oxidizable impurities and moisture, as well as on solid surfaces. The speed of the decomposition increases along with the temperature.



## **CAUTION!**

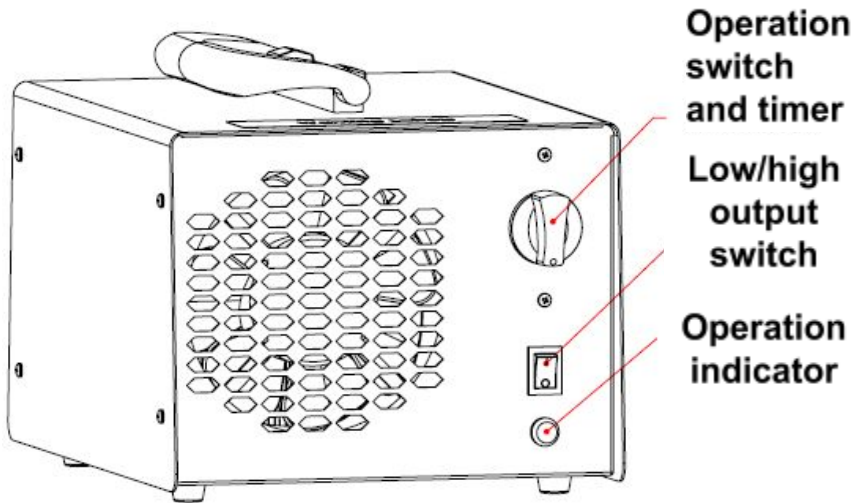
**No people, animals, or plants may be present in the room during operation. You can only enter the room 1 hour after the device stops operating.**

## TECHNICAL SPECIFICATION

|                     |                           |
|---------------------|---------------------------|
| Model:              | GREY 30000 (HE-161A)      |
| Input voltage:      | AC 220-240V/50-60Hz       |
| Energy consumption: | 240 W                     |
| Ozone plates:       | 104 x 50 mm, 6 pcs        |
| Air volume:         | Max 150 CFM (4.20 M3/min) |
| Active oxygenation: | 30 000 mg/h               |
| Noise level:        | 45 dB                     |
| Dimensions:         | 260 x 205 x 180 mm        |
| Weight:             | 4.5 Kg                    |

# USING THE GREY 30000 DEVICE

(front view)



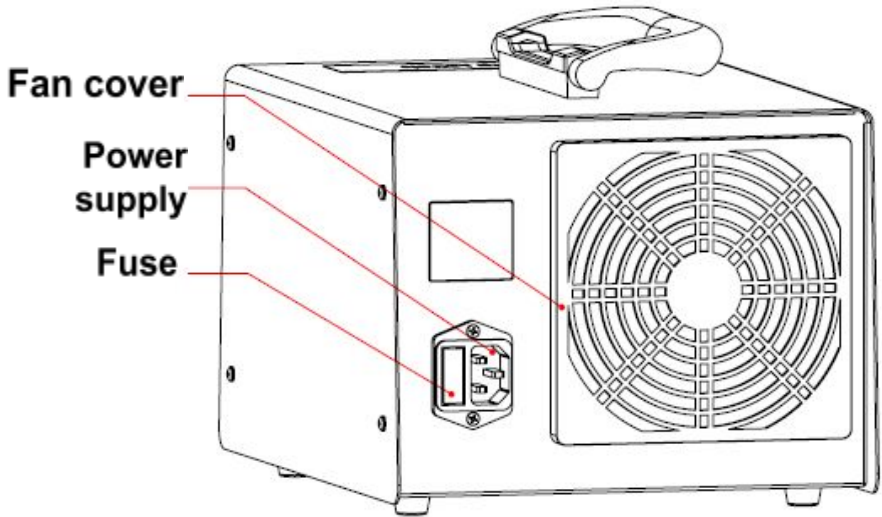
## USE

**Operation timer:** Used to set the device's operating period (ozone production) for up to 3 hours.

**Switching between low and high output:** High output at 30,000 mg, low output at 15,000 mg.

**Operation switch and indicator:** Illuminated if the device is operating (producing ozone).

(rear view)



## USE

**Fuse:** A replaceable fuse (2A, length 0.79 inches) is located here.

**Power supply:** Power supply connector, 220V-240V.

## PROCEDURE FOR USING THE DEVICE

The industrial air purifier is designed to remove odors from unoccupied spaces (spaces in which no people, animals, or plants are present). The device is equipped with a timer that enables the setting of an operating period of up to 3 hours. At the end of the set operating period, the device switches off.

**Ozone has very strong oxidizing effects**, and at higher concentrations can damage surfaces which have a tendency to corrode, as well as bring about the accelerated degradation of some plastics and rubber products. We recommend that you safely cover, or remove from the area which is to be cleaned, all objects which meet these criteria, or if you are unsure of their resistance or they are objects of a higher or artistic value.

**You can only enter the room 1 hour after the device stops operating.**

### FOLLOW THESE STEPS:

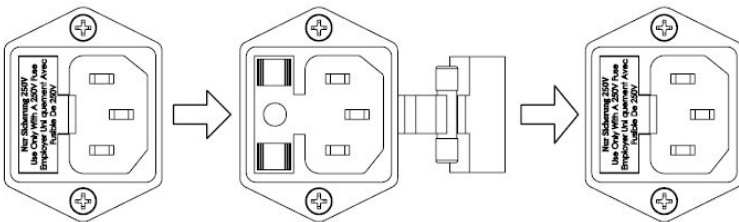
1. Close the space which is to be cleaned.
2. **No people, animals, or plants may be present in the room (during cleaning).**
3. Place the device as close as possible to the source of the odor.
4. In spaces that are equipped with their own air conditioning system (heating or cooling), switch on this system, and set internal circulation.
5. Set the timer for the required operating period, and leave the room.
6. **After the device stops operating, wait at least 1 hour before you enter the room.**
7. Enter the cleaned space, and ventilate it.

## ELIMINATION OF PROBLEMS

If you suspect that there may be a problem with your unit, check the following:

- The unit is properly connected.
- The ceramic plates are clean and dry.
- There are no cracks in the plates, and each plate is aligned with the rear part of the unit.
- It is important that the ozone generator is properly earthed, in order to prevent injury by electric current.
- The fuse is installed correctly and in good condition.

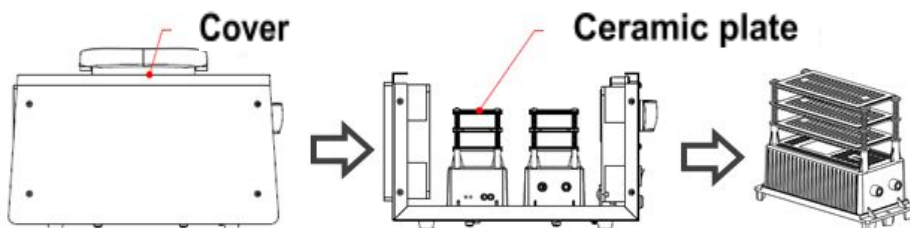
When replacing the fuse, pull out the plastic fuse holder, take out the old fuse, and insert the new one. The replacement fuse must be 2-ampere. See the picture below:



**Caution:** You should not try to remove the unit cover, because there are no parts which the user could repair themselves. Opening the unit voids the warranty.



## MAINTENANCE



If the device does not produce enough ozone for a longer time, and it is therefore not efficient enough, it is necessary to replace the ozone plates. They are usually changed after 6000 hours of operation.

To clean the plate, first, turn off the power and unplug it. Remove the upper cover unit. Then loosen the screw that is attached to the power supply module and spread the three ceramic plates (note: do not interrupt the connecting cable attached to the ceramic plates). A liquid spray cleaner with ammonia or chlorine can be used to remove stains.

After cleaning, dry excess moisture off the ceramic plates and stainless steel plates with a dry cloth. It must be completely dry before reinstalling. You can also use a hairdryer.

# CERTIFICATE



## CERTIFICATE Of Conformity EU Council Directive 2014/30/EU Electromagnetic Compatibility

Registration No.: AT0517060050E

Report No.: R0517060050E

Page 1 of 2

**Applicant** : Highend Home Appliance Co., Ltd  
Area A, Floor 3, 16th-1, MeiYuan Road, QianLong, Sanxiang town, Zhongshan City, Guangdong, China 528463

**Product** : Ozone Generator Air Purifier

**Identification** : **Model No.** : HE-144, HE-143, HE-161A, HE-160A, HE-154, HE-141, HE-151, HE-150, HE-140, HE-145, HE-150W

**Trademark** : HIHAP

**Rating** : AC 220-240V, 50Hz,  
Rate power see page 2

**Test Standards** : EN 55014-1: 2006+A1: 2009+A2: 2011  
EN 61000-3-2: 2014  
EN 61000-3-3: 2013  
EN 55014-2: 2015

The certificate of conformity is based on an evaluation of a sample of the above-mentioned product. Technical report and documentation are at the applicant's disposal. This is to certify that the tested sample is in conformity with all provisions of Annex II of Council Directive 2014/30/EU, in its latest amended version, referred to EMC Directive. The certificate does not imply assessment of the production and does not permit the use of Lab's logo. The applicant of the certificate is authorized to use this certificate in connection with EU declaration of conformity to Article 15 of the Directive.



Certified by

Tom Chen  
Manager

Jun. 24, 2017  
Date



The CE Marking may only be used if all relevant and effective EU Directives are complied with



Shenzhen Anbotek Compliance Laboratory Limited

1/F., Building 1, SEC Industrial Park, No.0409 Qianhai Road, Tel: (86)755-26066544  
Nanshan District, Shenzhen, Guangdong, China Fax: (86)755-26014772  
[Http://www.anbotek.com](http://www.anbotek.com) Email:service@anbotek.com

# CERTIFICATE



## CERTIFICATE Of Conformity EU Council Directive 2014/30/EU Electromagnetic Compatibility

Registration No.: AT0517060050E

Report No.: R0517060050E

Page 2 of 2

| Model number | Rated power |
|--------------|-------------|
| HE-144       | 350W        |
| HE-143       | 270W        |
| HE-160A      | 135W        |
| HE-161A      | 270W        |
| HE-154       | 180W        |
| HE-141       | 100W        |
| HE-151       | 80W         |
| HE-150       | 55W         |
| HE-140       | 100W        |
| HE-145       | 100W        |
| HE-150W      | 60W         |



Certified by

Tom Chen  
Manager

Jun. 24, 2017  
Date



The CE Marking may only be used if all relevant and effective EU Directives are complied with



Shenzhen Anbotek Compliance Laboratory Limited

1/F., Building 1, SEC Industrial Park, No.0409 Qianhai Road, Tel: (86)755-26066544  
Nanshan District, Shenzhen, Guangdong, China Fax: (86)755-26014772  
Http://www.anbotek.com Email:service@anbotek.com

**Read the instructions carefully before using this device**



## **GREY 30000 (HE-161A) INDUSTRIAL OZONE GENERATOR**



### ***USER MANUAL***

**Read the instructions carefully before using this device**

Version 20.05.2020